

**Rawington Ltd**  
WOOD-ALUMINIUM WINDOWS

Yate Business Campus  
10 North Road  
Yate  
Bristol  
BS37 7PA  
Tel 014 5452 8353  
Fax 014 5452 8353  
Email info@rawington.com

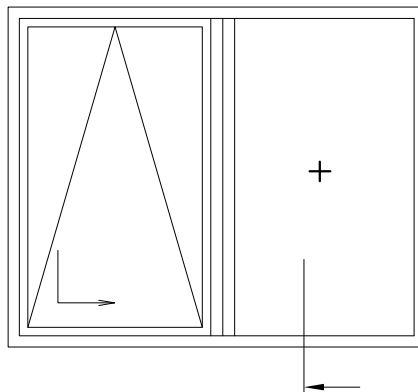
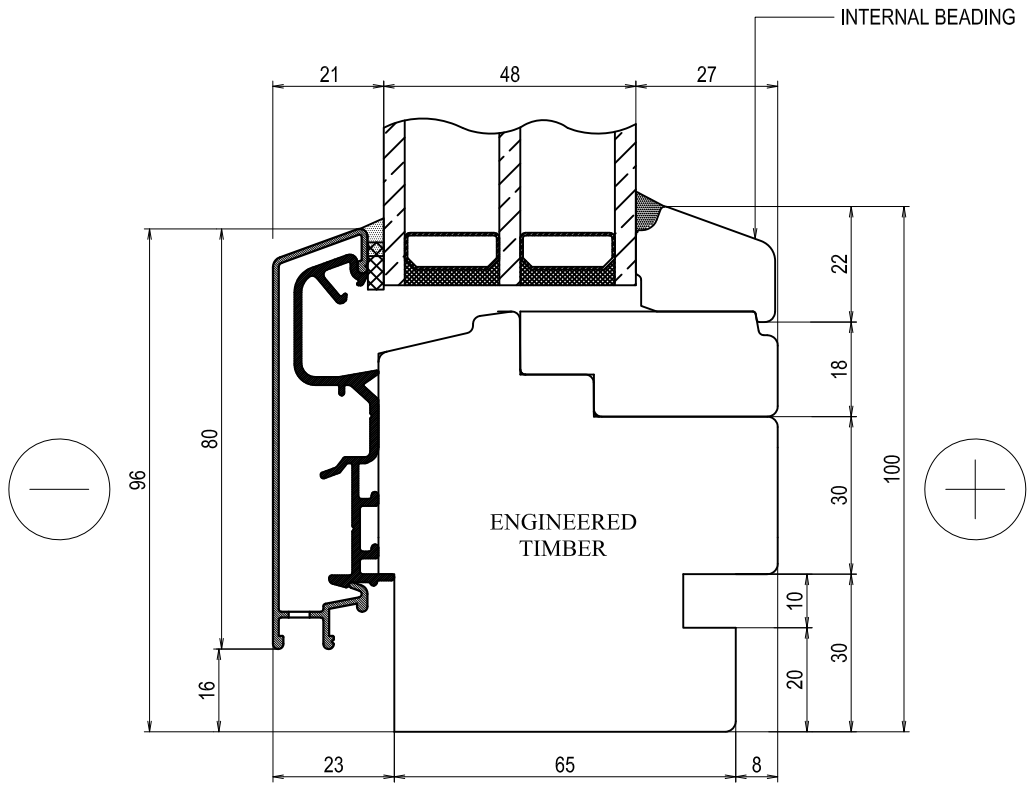
SYSTEM

92 EURO TIMBER ALU  
TILT & SLIDE DOORS

DRAWING TITLE

FIXED WINDOW  
HEAD DETAIL

DRAWN	CHECKED	DATE	SCALE
R.P.	A.P.		1-1
JOB NUMBER	DRAWING NUMBER	REVISION	
N/A	006		



**Rawington Ltd**  
WOOD-ALUMINIUM WINDOWS

Yate Business Campus  
10 North Road  
Yate  
Bristol  
BS37 7PA  
Tel 014 5452 8353  
Fax 014 5452 8353  
Email info@rawington.com

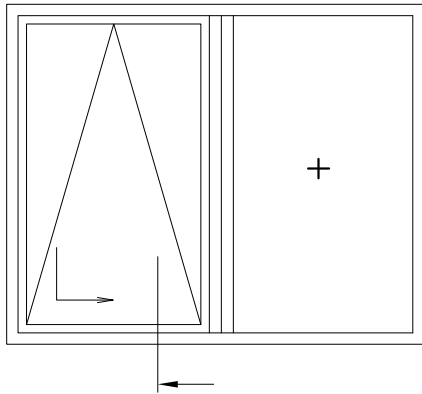
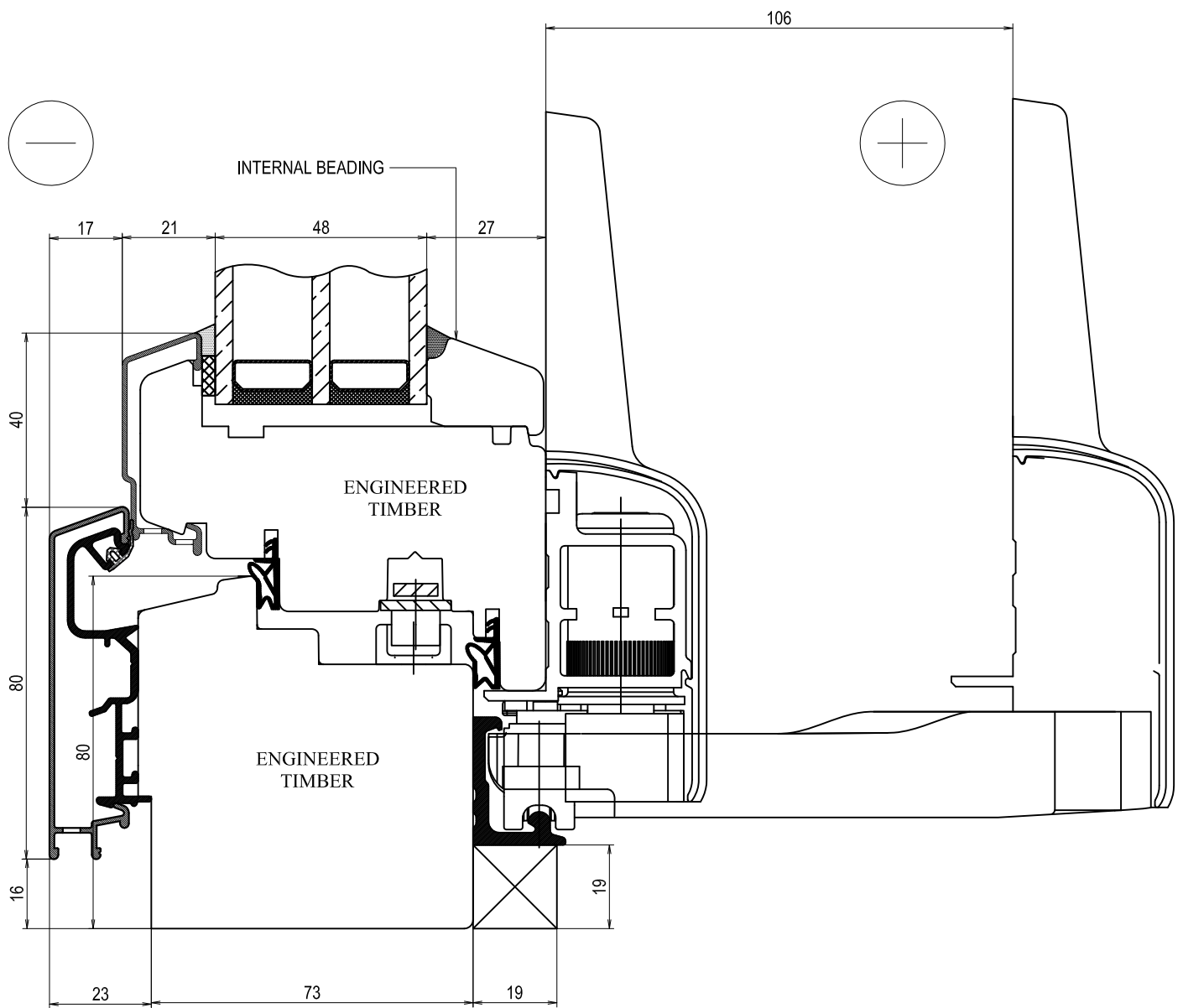
SYSTEM

92 EURO TIMBER ALU  
TILT & SLIDE DOORS

DRAWING TITLE

FIXED WINDOW  
CILL DETAIL

DRAWN	CHECKED	DATE	SCALE
R.P.	A.P.		1-1
JOB NUMBER	DRAWING NUMBER	REVISION	
N/A	007		



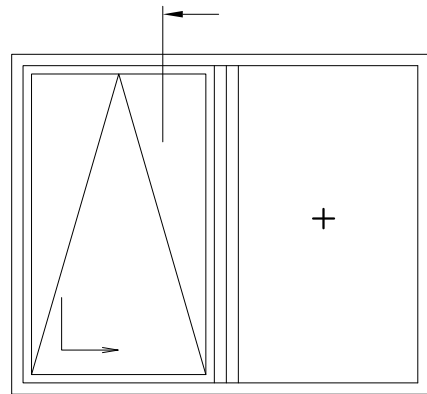
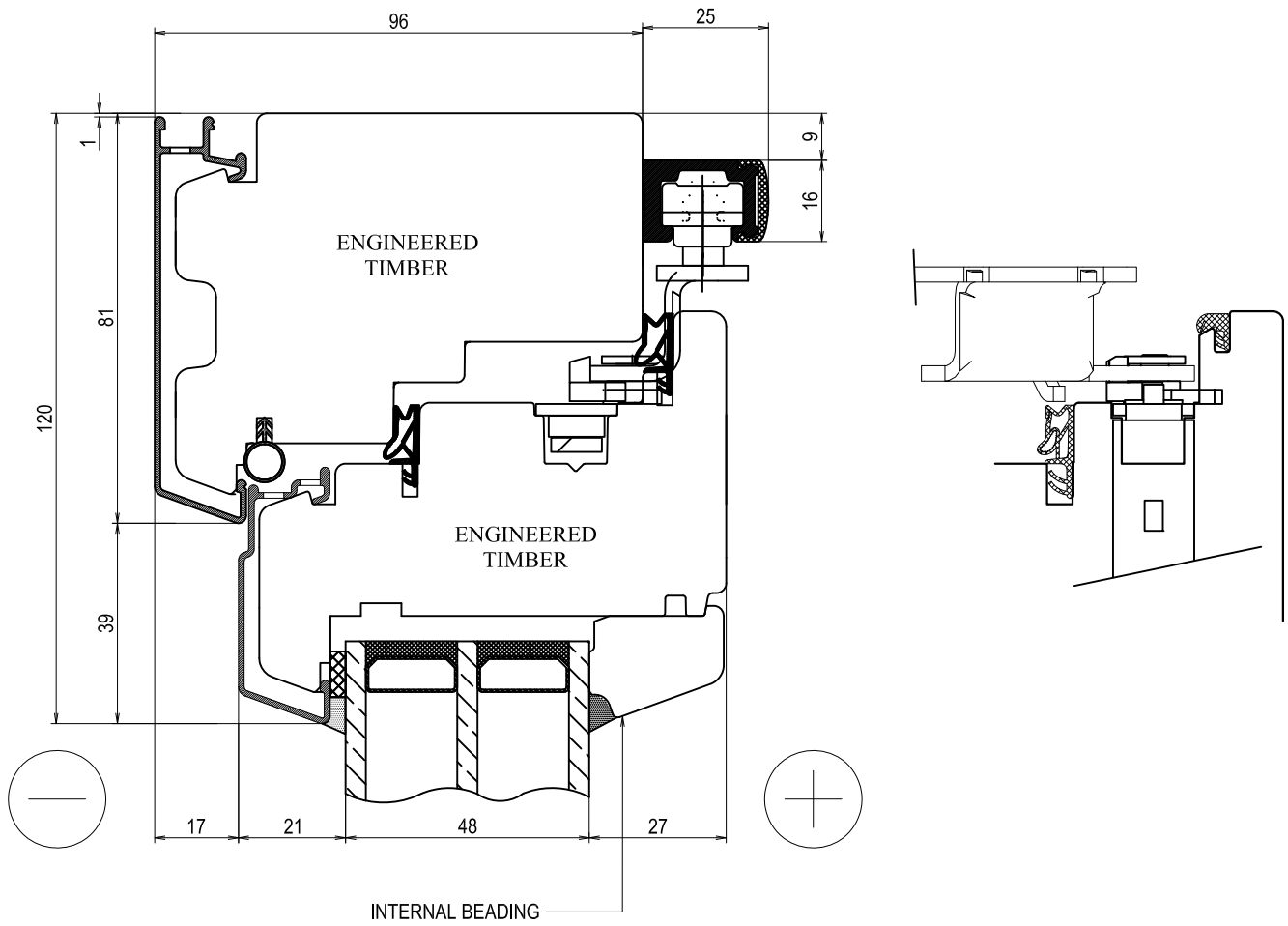
**Rawington Ltd**  
WOOD-ALUMINIUM WINDOWS

Yate Business Campus  
10 North Road  
Yate  
Bristol  
BS37 7PA  
Tel 014 5452 8353  
Fax 014 5452 8353  
Email info@rawington.com

SYSTEM  
**92 EURO TIMBER ALU  
TILT & SLIDE DOORS**

DRAWING TITLE  
**TILT & SLIDE DOOR  
CILL DETAIL**

DRAWN R.P.	CHECKED A.P.	DATE	SCALE 1-1
JOB NUMBER N/A	DRAWING NUMBER 001	REVISION	



**Rawington Ltd**  
WOOD-ALUMINIUM WINDOWS

Yate Business Campus  
10 North Road  
Yate  
Bristol  
BS37 7PA  
Tel 014 5452 8353  
Fax 014 5452 8353  
Email info@rawington.com

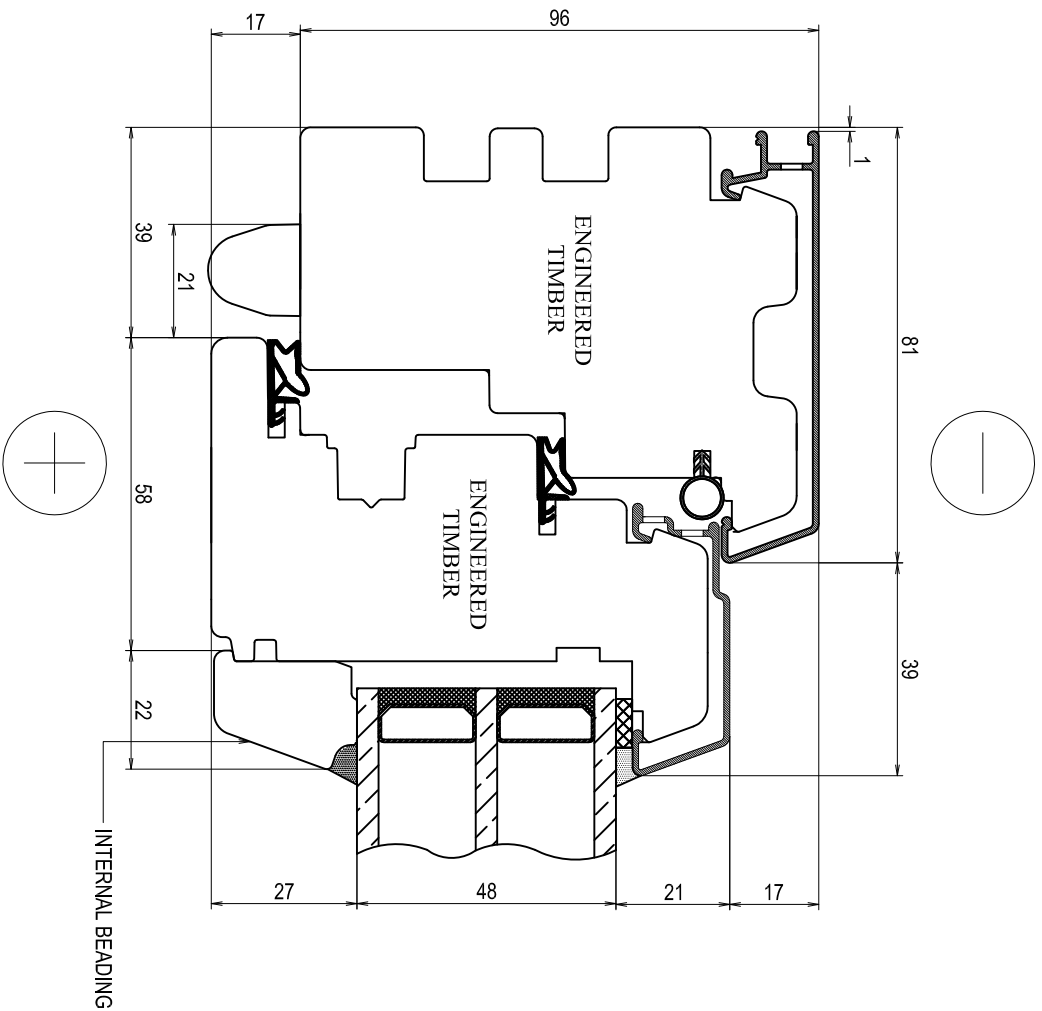
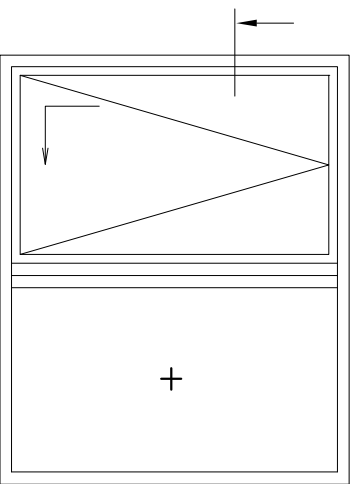
SYSTEM

92 EURO TIMBER ALU  
TILT & SLIDE DOORS

DRAWING TITLE

TILT & SLIDE DOOR  
HEAD DETAIL

DRAWN R.P.	CHECKED A.P.	DATE	SCALE 1-1
JOB NUMBER N/A	DRAWING NUMBER 002	REVISION	



Yale Business Campus  
10 North Road  
Yale  
Bristol  
BS30 7PA

**Rawington Ltd**  
WOOD-ALUMINIUM WINDOWS

Tel 014 5452 8353  
Fax 014 5452 8353  
Email info@rawington.com

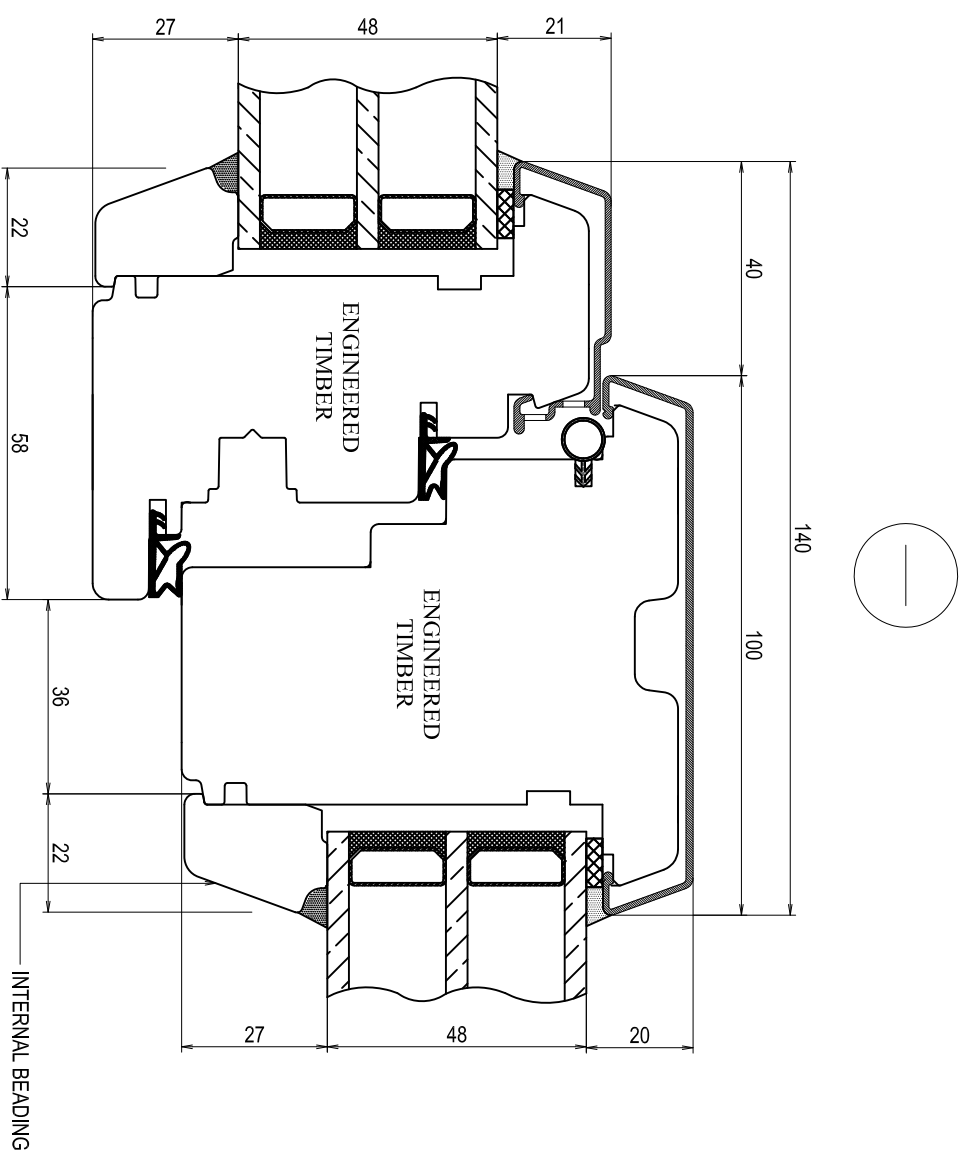
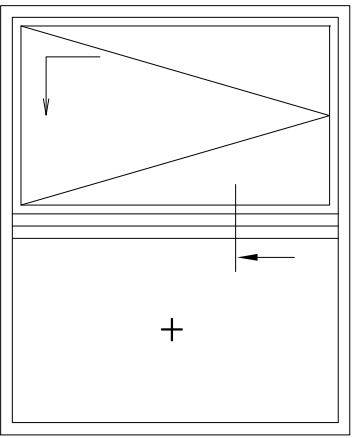
SYSTEM

**92 EURO TIMBER  
TILT & SLIDE DOORS**

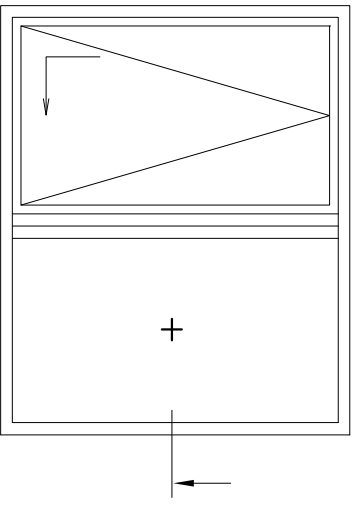
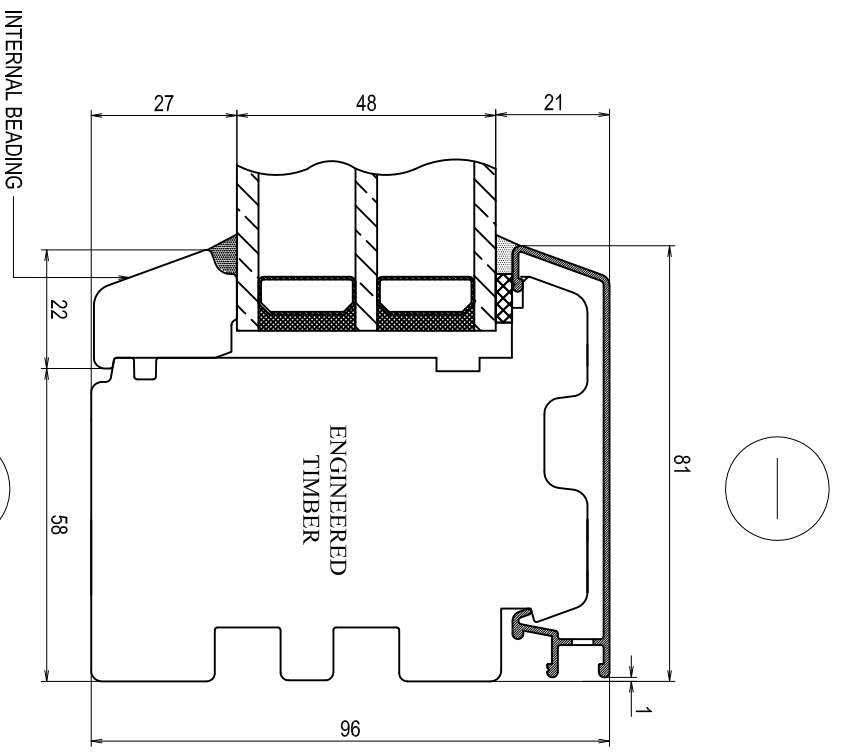
DRAWING TITLE

**TILT & SLIDE DOOR  
JAMB DETAIL**

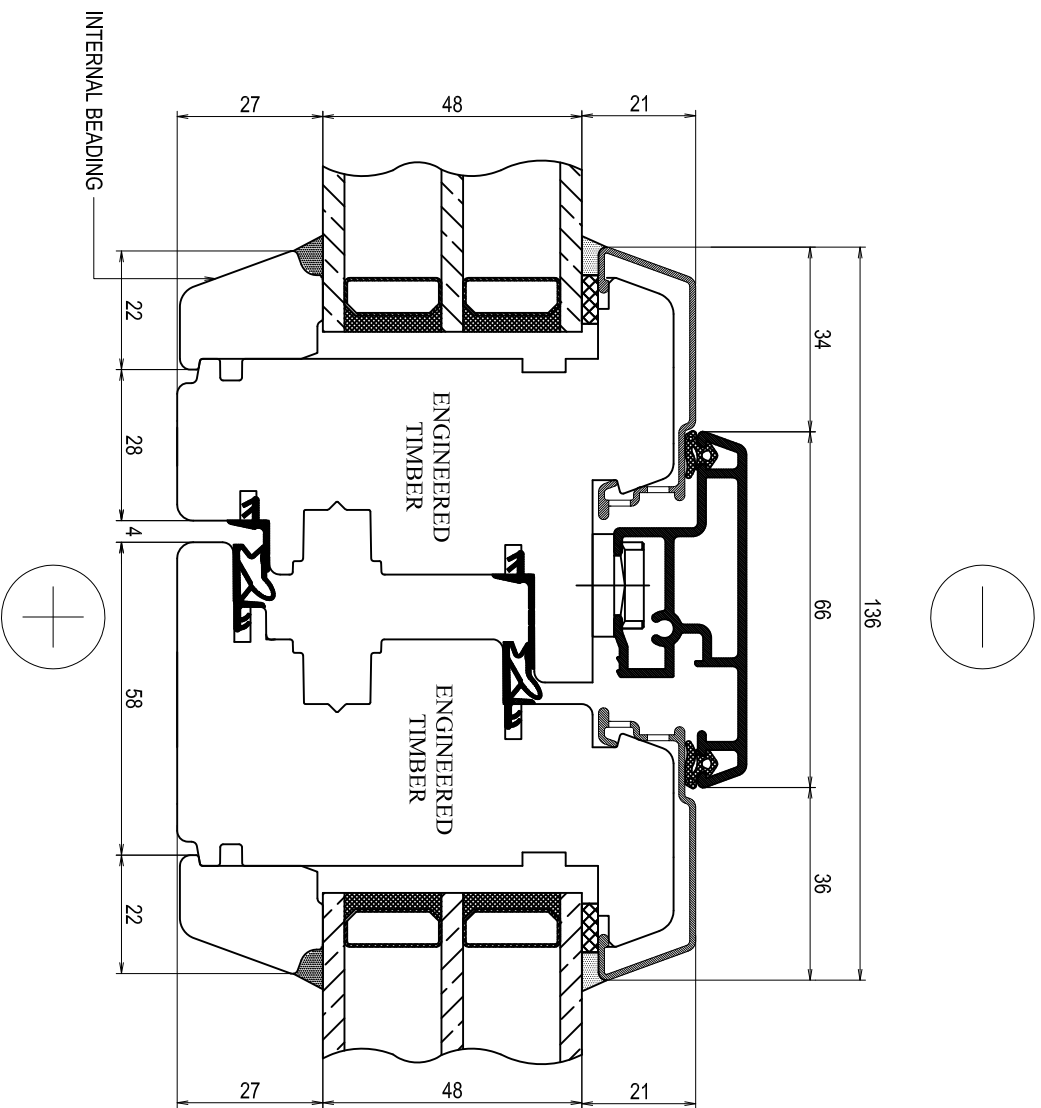
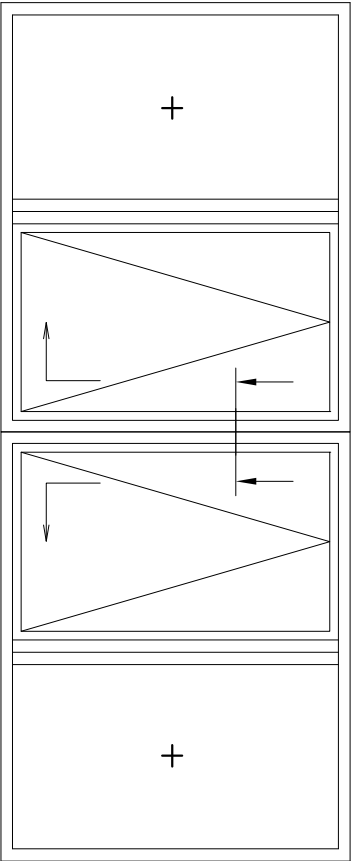
DRAWN	CHECKED	DATE	SCALE
R.P.	A.P.		1-1
JOB NUMBER	DRAWING NUMBER	REVISION	
N/A	003		



<p><b>Rawington Ltd</b> WOOD-ALUMINIUM WINDOWS</p>		<p>Yale Business Campus 10 North Road Yale Bristol BS37 7PA Tel 014 5452 8353 Fax 014 5452 8353 Email info@rawington.com</p>	
<p>SYSTEM</p>		<p>92 EURO TIMBER TILT &amp; SLIDE DOORS</p>	
<p>DRAWING TITLE</p>		<p>FIXED AND TILT &amp; SLIDE DOOR WITH VERTICAL MULLION HORIZONTAL SECTION</p>	
<p>DRAWN</p>	<p>CHECKED</p>	<p>DATE</p>	<p>SCALE</p>
<p>R.P.</p>	<p>A.P.</p>	<p>004</p>	<p>1-1</p>
<p>JOB NUMBER</p>	<p>DRAWING NUMBER</p>	<p>REVISION</p>	
<p>N/A</p>	<p>004</p>		



<p style="text-align: right;">Yale Business Campus 10 North Road Yale Bristol BS37 7PA Tel 014 5452 8353 Fax 014 5452 8353 Email info@rawington.com</p>		<p style="text-align: center;">SYSTEM</p>	
<p style="text-align: right;"><b>Rawington Ltd</b> WOOD-ALUMINIUM WINDOWS</p>		<p style="text-align: center;">92 EURO TIMBER TILT &amp; SLIDE DOORS</p>	
<p style="text-align: right;">DRAWING TITLE</p>		<p style="text-align: center;"><b>TYPICAL JAMB DETAIL FIXED SIDE LIGHT</b></p>	
DRAWN	CHECKED	DATE	SCALE
R.P.	A.P.		1-1
JOB NUMBER	DRAWING NUMBER	REVISION	
N/A	005		



Yale Business Campus  
10 North Road  
Yale  
Bristol

BS37 7PA

Tel 014 5452 8353

Fax 014 5452 8353

Email info@rawington.com

**Rawington Ltd**  
WOOD-ALUMINIUM WINDOWS

SYSTEM

92 EURO TIMBER  
TILT & SLIDE DOORS

DRAWING TITLE

HORIZONTAL SECTION  
FRENCH TYPE  
TILT & SLIDE DOOR

DRAWN

R.P.

CHECKED

A.P.

DATE

SCALE

1-1

JOB NUMBER

N/A

DRAWING NUMBER

008

REVISION