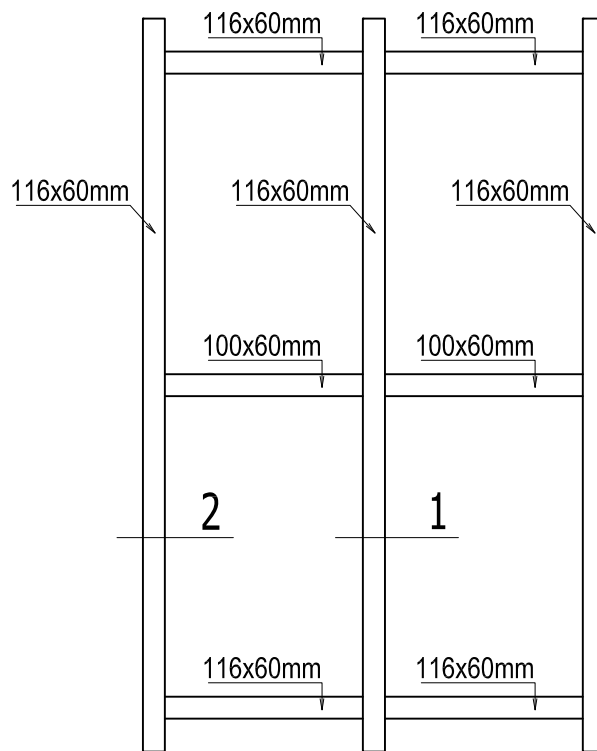
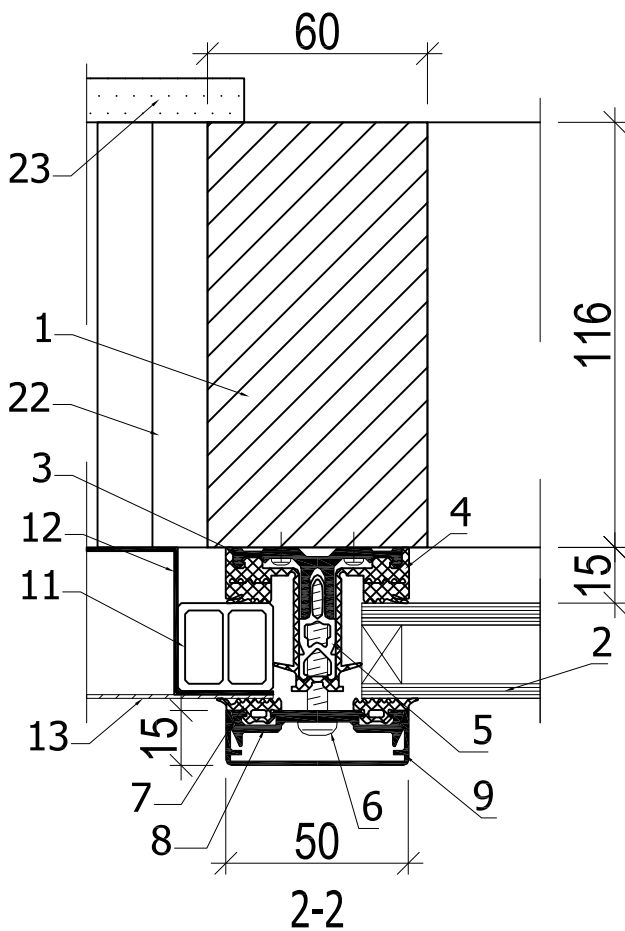


- 1 - ENGINEERED TIMBER
- 2 - DOUBLE/TRIPLE GLAZED UNIT
- 3 - SCHUCO ALIUMINIUM SYSTEM
- 04 - INTERNAL GASKETS
- 05 - PVC ISOLATOR
- 06 - SCREW
- 07 - HOLDER GASKET
- 08 - ALUMINIUM GLAZING HOLDER
- 09 - ALUMINIUM COVER CAP
- 11 - COMPENSATOR
- 12 - BUTYL TAPE
- 13 - ALUMINIUM SILL
- 22 - INSULATION
- 23 - PLASTERBOARD



Rawington Ltd

Yate Business Campus
10 North Road
Yate
Bristol
BS37 7PA

Tel 020 8205 1672
Fax 020 8205 1672
Email info@rawington.com

SYSTEM

COMPOSITE CURTAIN WALL

PROJECT TITLE

N/A

DRAWING TITLE

COMPOSITE CURTAIN WALL
MULLION HORIZONTAL SECTION

DRAWN

R.P.

CHECKED

A.P.

DRAWN

07/09/2009

SCALE

1:1

JOB NUMBER

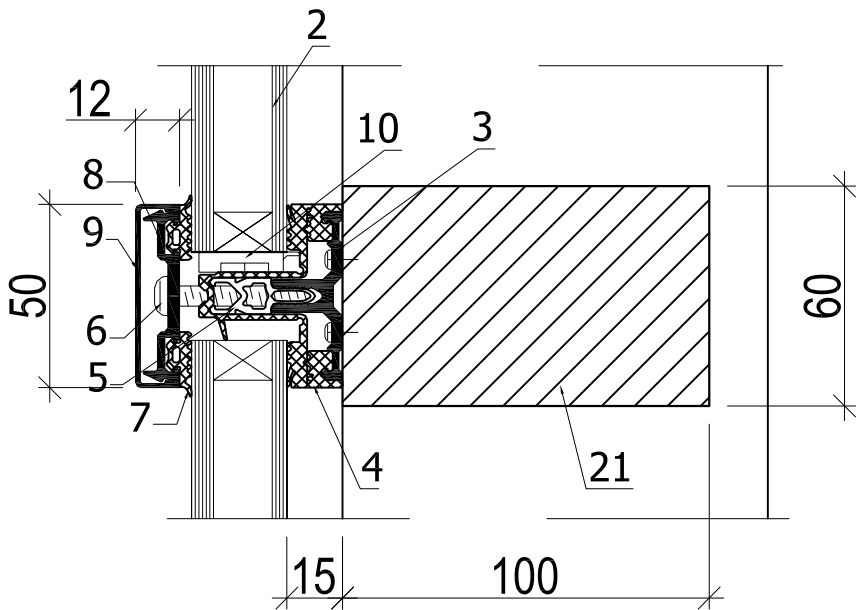
CCW

DRAWING NUMBER

CCW-008

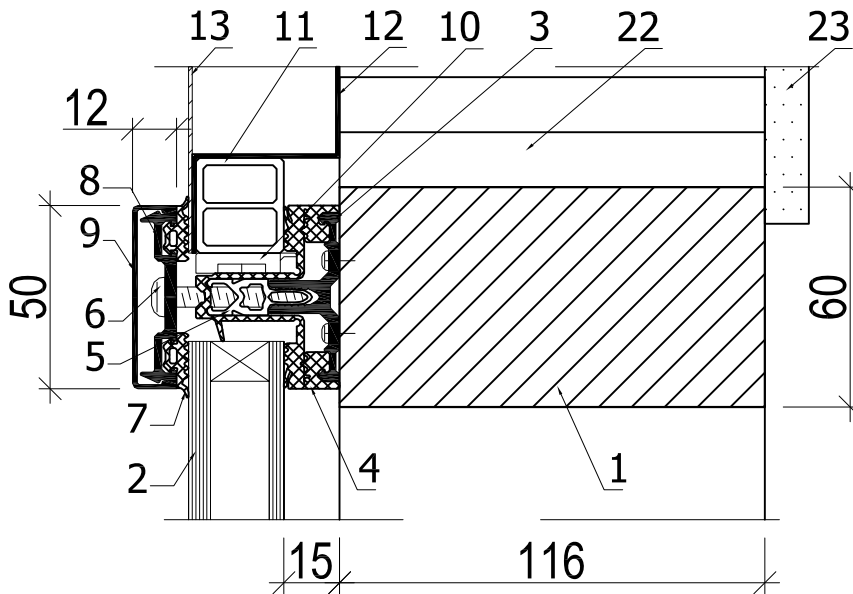
REVISION

-

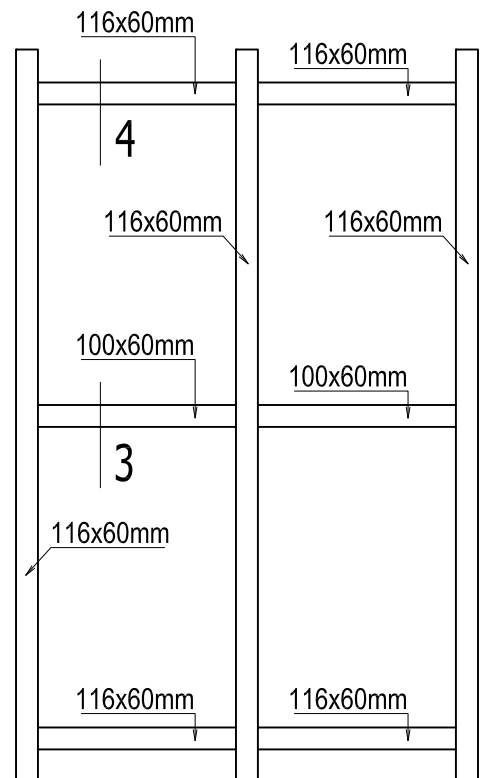


- 1 - ENGINEERED TIMBER
- 2 - DOUBLE/TRIPLE GLAZED UNIT
- 3 - SCHUCO ALIUMINIUM SYSTEM
- 04 - INTERNAL GASKETS
- 05 - PVC ISOLATOR
- 06 - SCREW
- 07 - HOLDER GASKET
- 08 - ALUMINIUM GLAZING HOLDER
- 09 - ALUMINIUM COVER CAP
- 11 - COMPENSATOR
- 12 - BUTYL TAPE
- 13 - ALUMINIUM SILL
- 22 - INSULATION
- 23 - PLASTERBOARD

3-3



4-4



Rawington Ltd

Yate Business Campus
10 North Road
Yate
Bristol
BS37 7PA

Tel 020 8205 1672
Fax 020 8205 1672
Email info@rawington.com

SYSTEM	COMPOSITE CURTAIN WALL
PROJECT TITLE	N/A

DRAWING TITLE			
COMPOSITE CURTAIN WALL TRANSOM VERTICAL SECTION			
DRAWN	CHECKED	DRAWN	SCALE
R.P.	A.P.	07/09/2009	1:1
JOB NUMBER	DRAWING NUMBER	REVISION	
CCW	CCW-009	-	