

Rawington Ltd
WOOD-ALUMINIUM WINDOWS

Yate Business Campus
10 North Road
Yate
Bristol
BS37 7PA
Tel 014 5452 8353
Fax 014 5452 8353
Email info@rawington.com

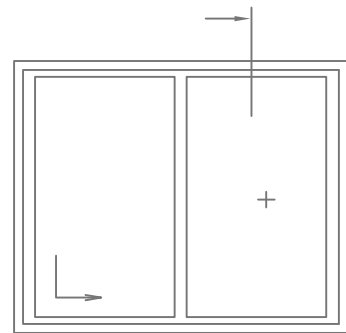
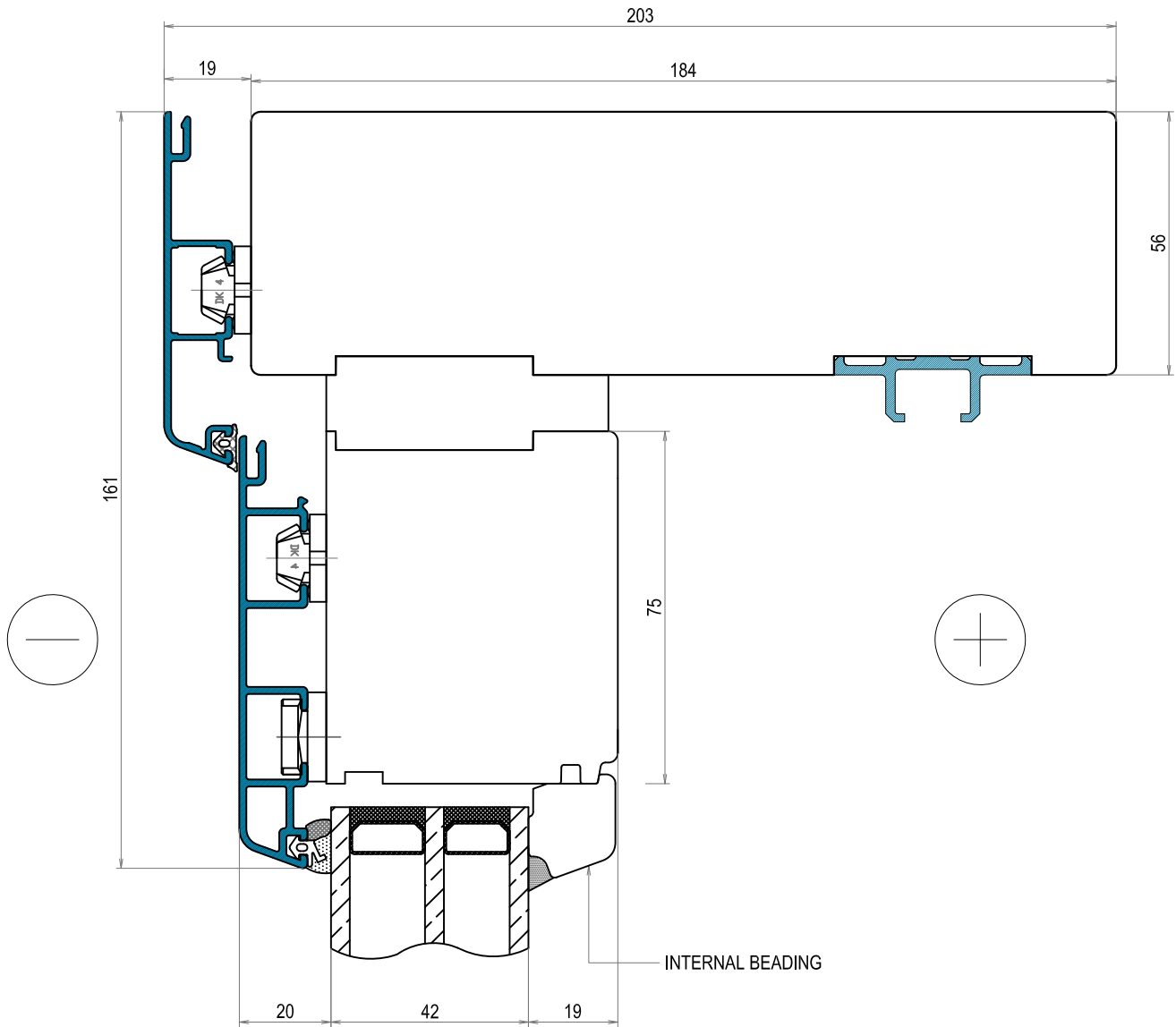
SYSTEM

*HS LIFT & SLIDE
DOORS*

DRAWING TITLE

**LIFT & SLIDE DOOR
MOVING SASH
VERTICAL SECTION**

DRAWN R.P.	CHECKED A.P.	DATE	SCALE 1-1
JOB NUMBER N/A	DRAWING NUMBER 001	REVISION	



Rawington Ltd
WOOD-ALUMINIUM WINDOWS

Yate Business Campus
10 North Road
Yate
Bristol
BS37 7PA
Tel 014 5452 8353
Fax 014 5452 8353
Email info@rawington.com

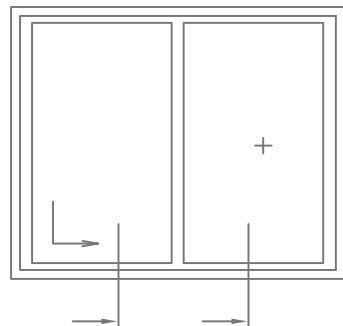
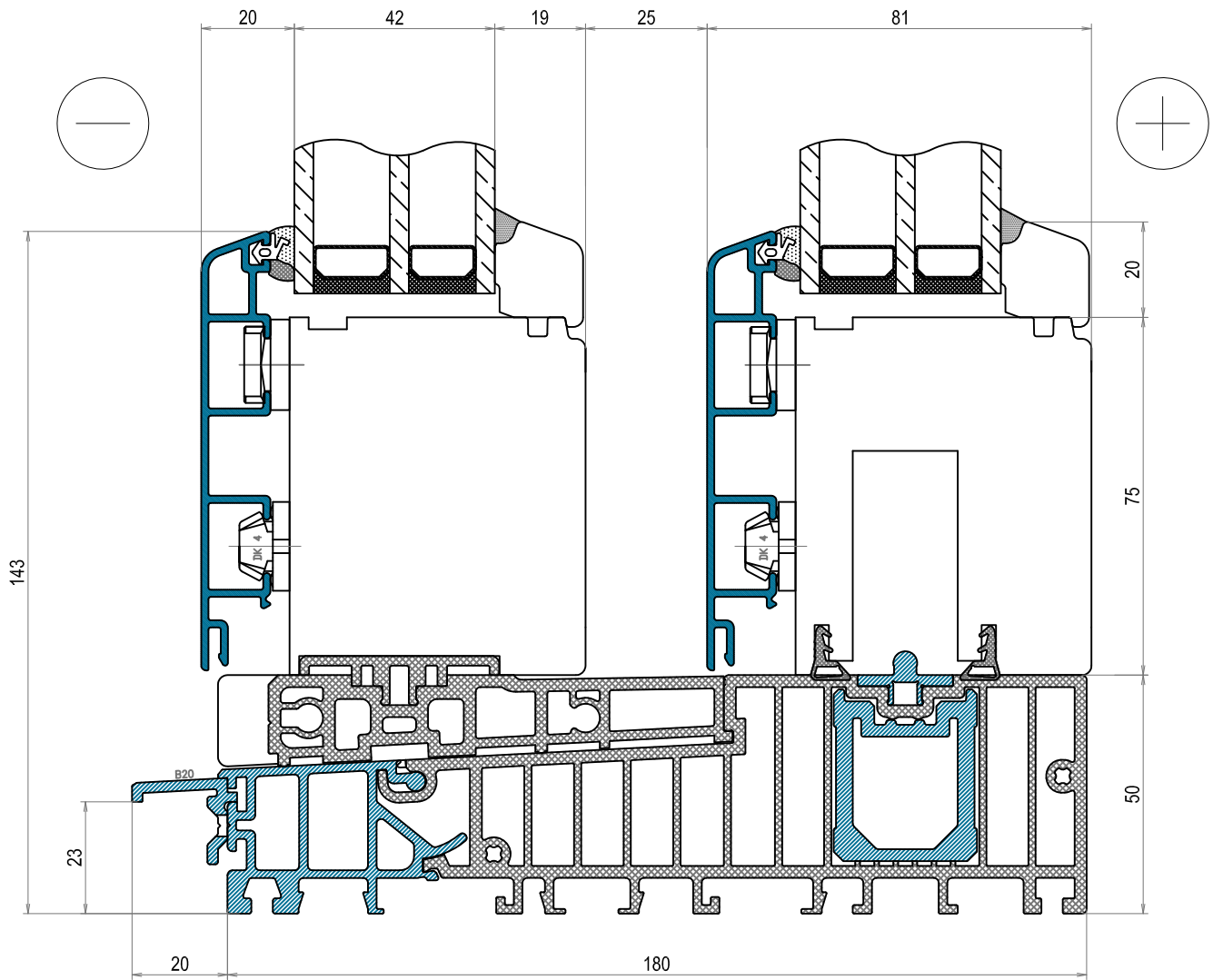
SYSTEM

**HS LIFT & SLIDE
DOORS**

DRAWING TITLE

**LIFT & SLIDE DOOR
FIXED SASH
VERTICAL SECTION**

DRAWN R.P.	CHECKED A.P.	DATE	SCALE 1-1
JOB NUMBER N/A	DRAWING NUMBER 002	REVISION	

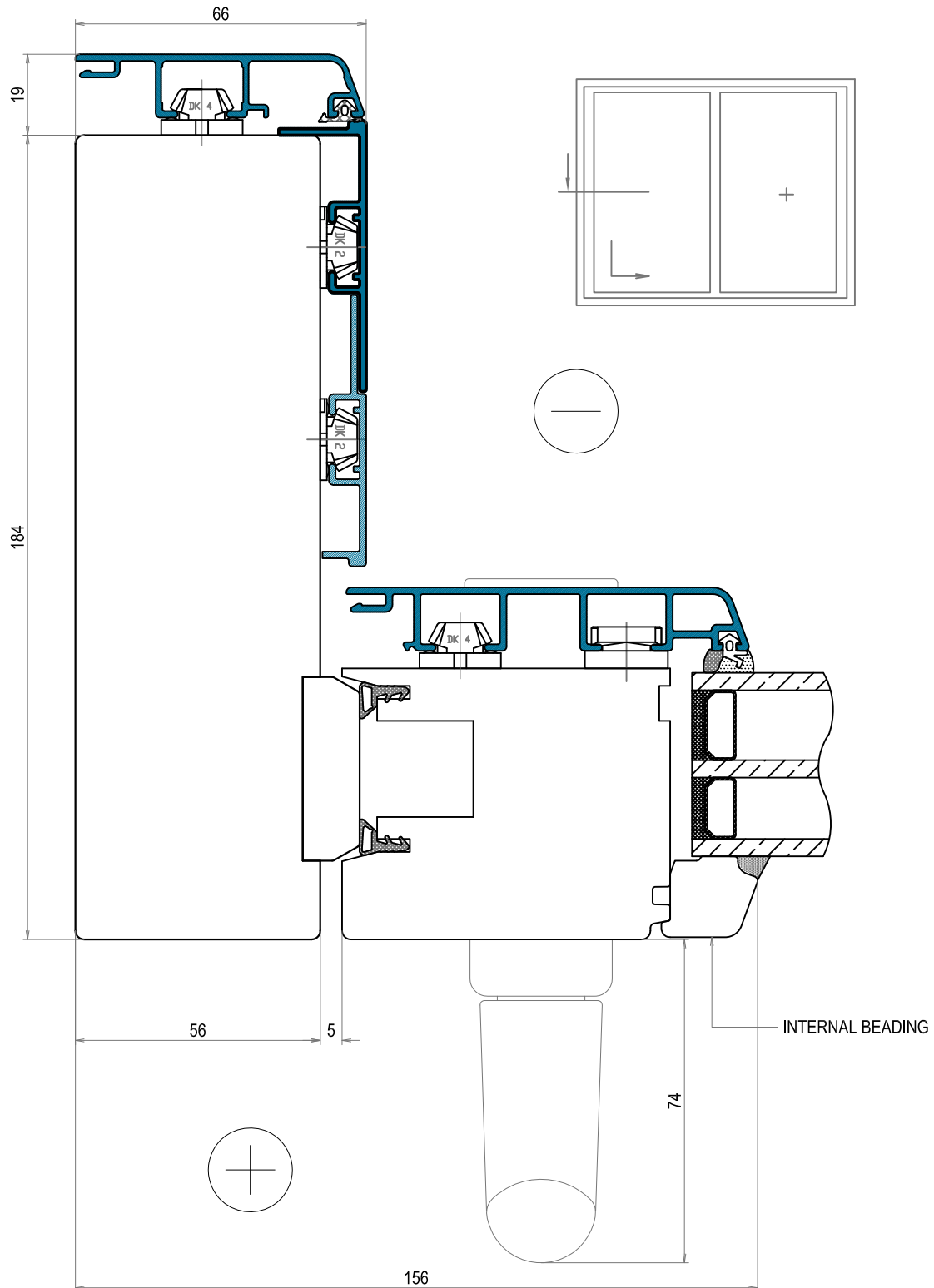


Rawington Ltd
WOOD-ALUMINIUM WINDOWS

Yate Business Campus
10 North Road
Yate
Bristol
BS37 7PA
Tel 014 5452 8353
Fax 014 5452 8353
Email info@rawington.com

SYSTEM
**HS LIFT & SLIDE
DOORS**

DRAWING TITLE				LIFT & SLIDE DOOR THRESHOLD VERTICAL SECTION	
DRAWN	CHECKED	DATE	SCALE		
R.P.	A.P.		1-1		
JOB NUMBER		DRAWING NUMBER	REVISION		
N/A		003			



Rawington Ltd
WOOD-ALUMINIUM WINDOWS

Yate Business Campus
10 North Road
Yate
Bristol
BS37 7PA
Tel 014 5452 8353
Fax 014 5452 8353
Email info@rawington.com

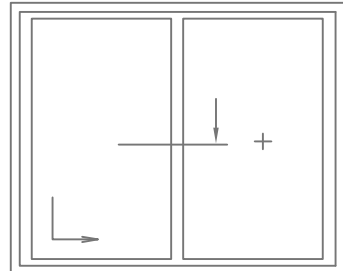
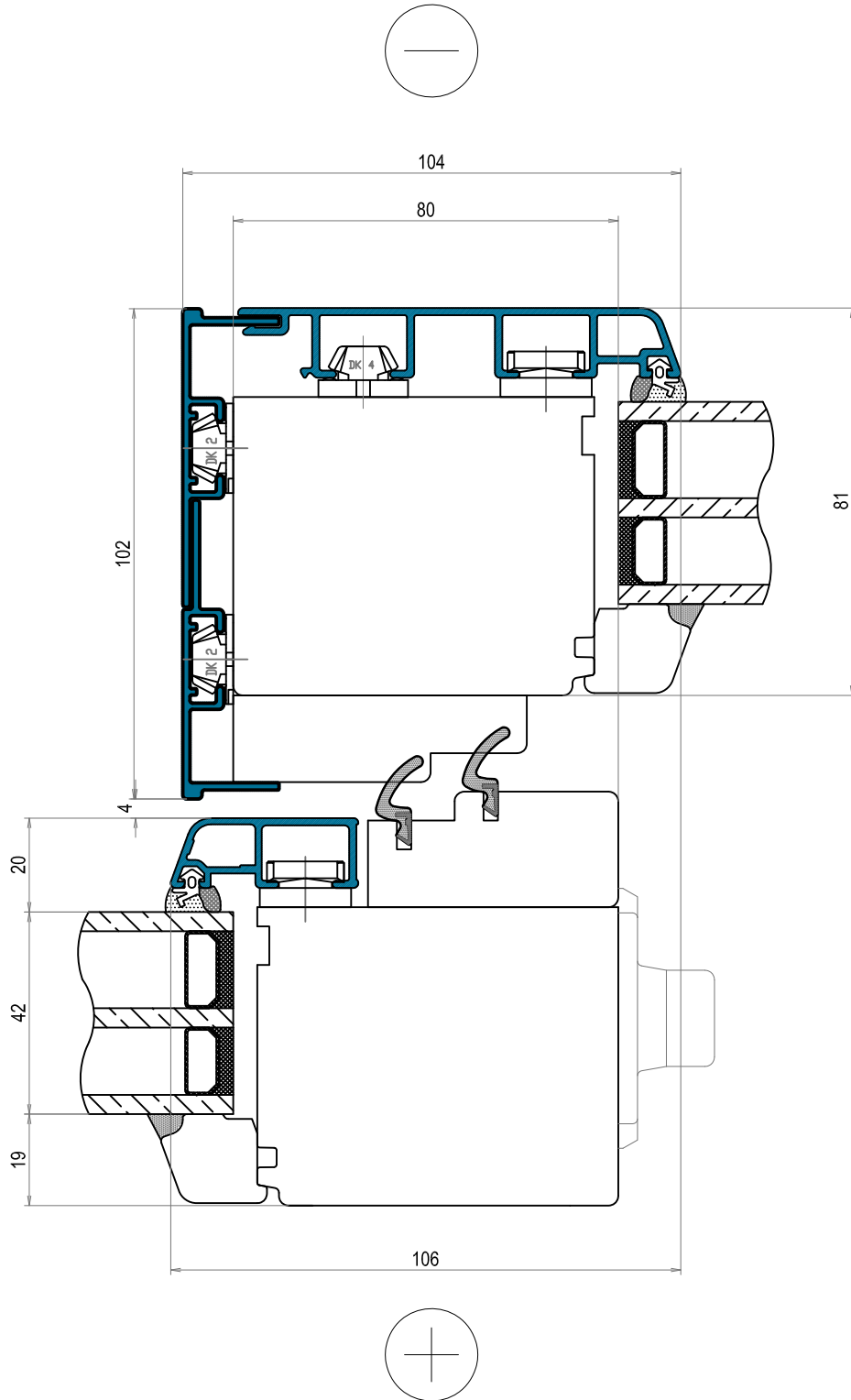
SYSTEM

**HS LIFT & SLIDE
DOORS**

DRAWING TITLE

**LIFT & SLIDE DOOR
MOVING SASH
HORIZONTAL SECTION**

DRAWN R.P.	CHECKED A.P.	DATE	SCALE 1-1
JOB NUMBER N/A	DRAWING NUMBER 004	REVISION	



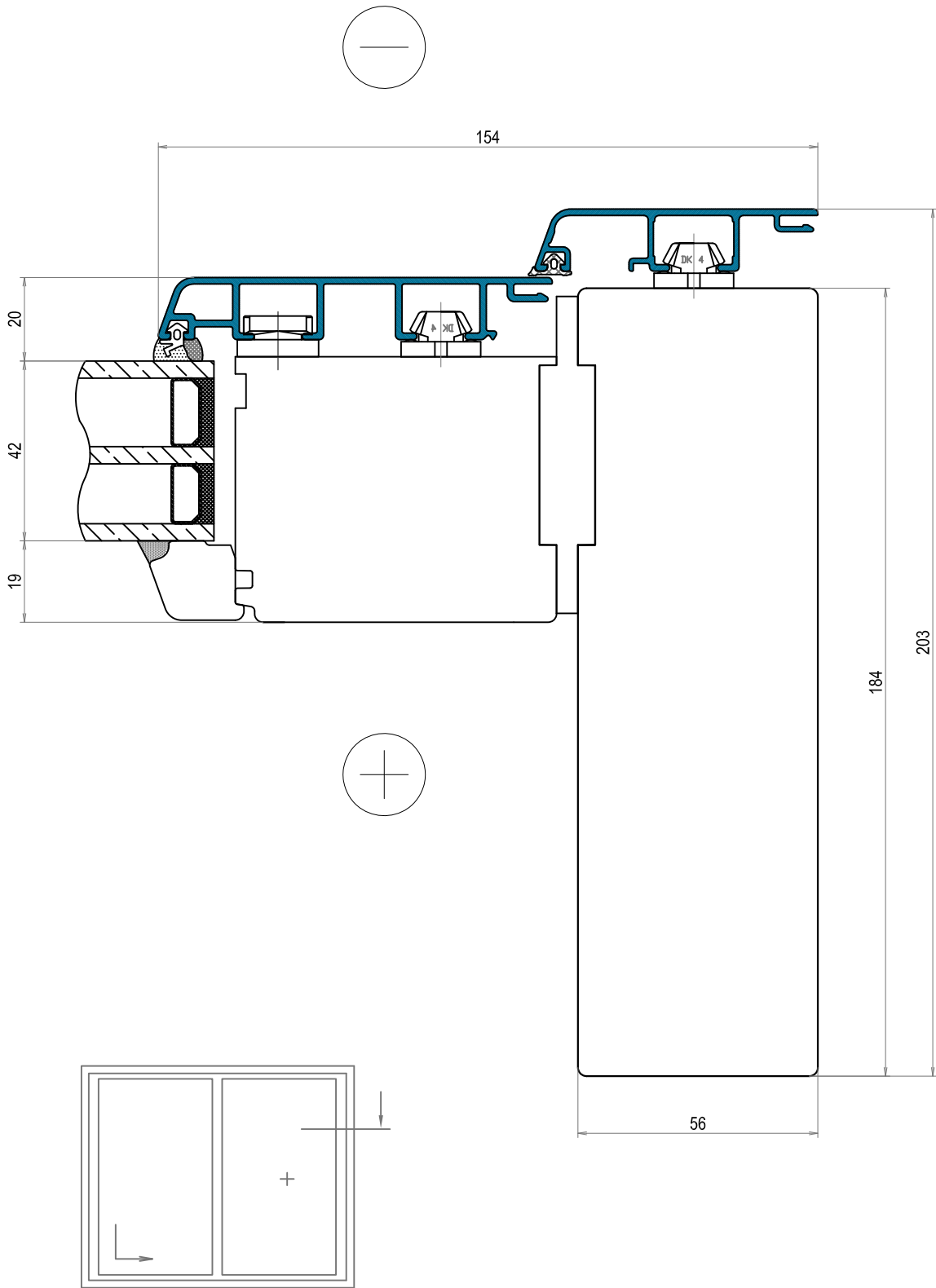
Rawington Ltd
WOOD-ALUMINIUM WINDOWS

Yate Business Campus
10 North Road
Yate
Bristol
BS37 7PA
Tel 014 5452 8353
Fax 014 5452 8353
Email info@rawington.com

SYSTEM
**HS LIFT & SLIDE
DOORS**

DRAWING TITLE
**LIFT & SLIDE DOOR
CENTRAL CONNECTION
HORIZONTAL SECTION**

DRAWN R.P.	CHECKED A.P.	DATE	SCALE 1-1
JOB NUMBER N/A	DRAWING NUMBER 005	REVISION	



Rawington Ltd
WOOD-ALUMINIUM WINDOWS

Yate Business Campus
10 North Road
Yate
Bristol
BS37 7PA
Tel 014 5452 8353
Fax 014 5452 8353
Email info@rawington.com

SYSTEM

*HS LIFT & SLIDE
DOORS*

DRAWING TITLE

LIFT & SLIDE DOOR
FIXED SASH
HORIZONTAL SECTION

DRAWN R.P.	CHECKED A.P.	DATE	SCALE 1-1
JOB NUMBER N/A	DRAWING NUMBER 006	REVISION	



Rawington Ltd
WOOD-ALUMINIUM WINDOWS

Yate Business Campus
10 North Road
Yate
Bristol
BS37 7PA
Tel 014 5452 8353
Fax 014 5452 8353
Email info@rawington.com

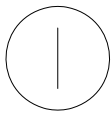
SYSTEM

**HS LIFT & SLIDE
DOORS**

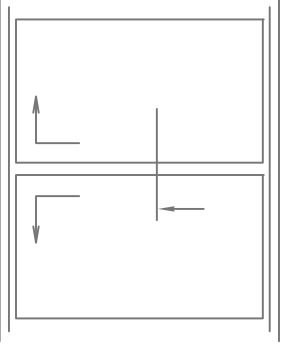
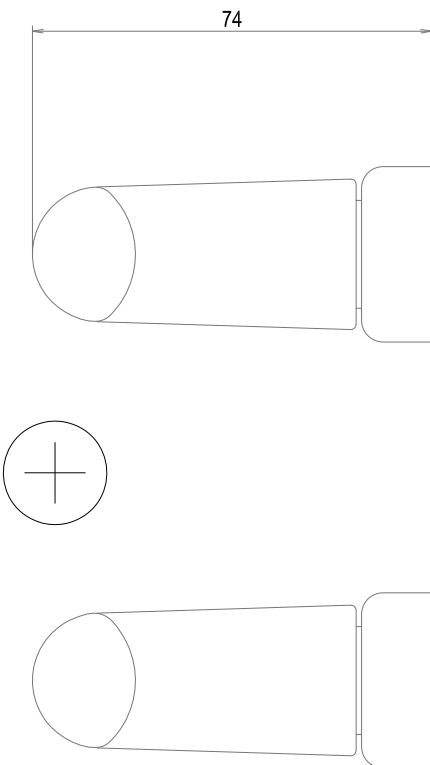
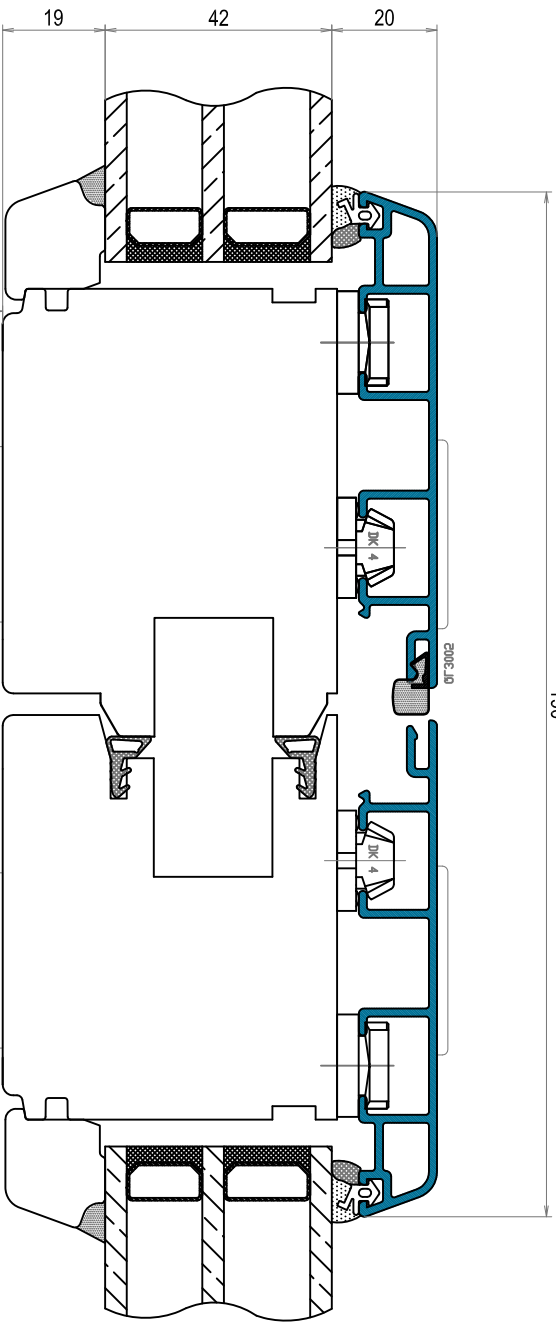
DRAWING TITLE

**LIFT & SLIDE DOOR
FIXED & MOVING SASH
HORIZONTAL SECTION**

DRAWN R.P.	CHECKED A.P.	DATE	SCALE 1-1
JOB NUMBER N/A	DRAWING NUMBER 007	REVISION	



190



<p>Rawington Ltd WOOD-ALUMINIUM WINDOWS</p> <p>Yale Business Campus 10 North Road Yale Bristol BS37 7PA Tel 014 5452 8353 Fax 014 5452 8353 Email info@rawington.com</p>		<p>SYSTEM</p> <p>HS LIFT & SLIDE DOORS</p>		<p>DRAWING TITLE</p> <p>LIFT & SLIDE DOOR FRENCH TYPE HORIZONTAL SECTION</p>	
DRAWN	CHECKED	DATE	SCALE	JOB NUMBER	REVISION
R.P.	A.P.		1-1	N/A	008