

Rawington Ltd
WOOD-ALUMINIUM WINDOWS

Yate Business Campus
10 North Road
Yate
Bristol
BS37 7PA
Tel 014 5452 8353
Fax 014 5452 8353
Email info@rawington.com

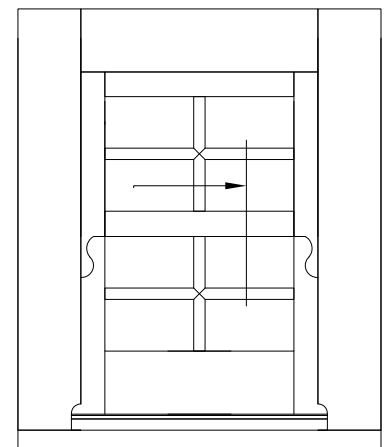
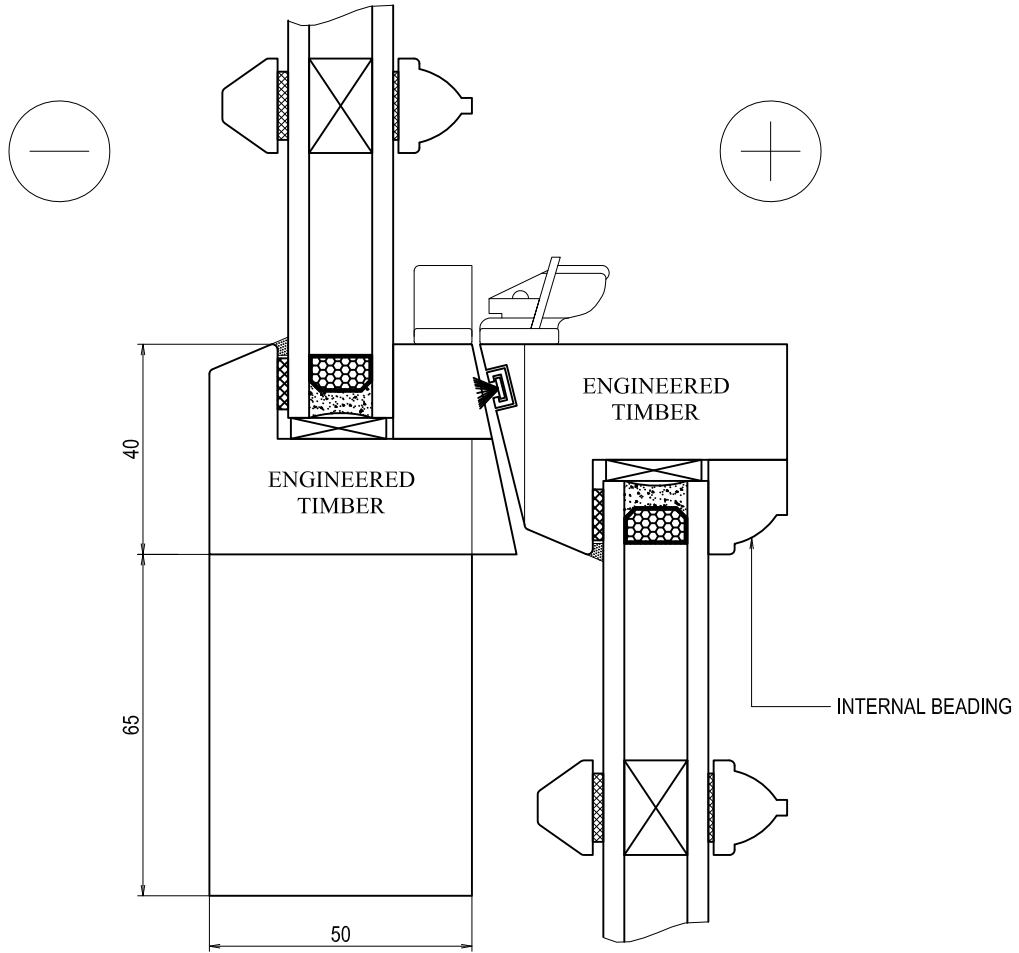
SYSTEM

TIMBER SASH WINDOW
WITH LEAD WEIGHTS

DRAWING TITLE

SASH WINDOW
HEAD DETAIL

DRAWN R.P.	CHECKED A.P.	DATE	SCALE 1-1
JOB NUMBER N/A	DRAWING NUMBER 001	REVISION	



Rawington Ltd
WOOD-ALUMINIUM WINDOWS

Yate Business Campus
10 North Road
Yate
Bristol
BS37 7PA
Tel 014 5452 8353
Fax 014 5452 8353
Email info@rawington.com

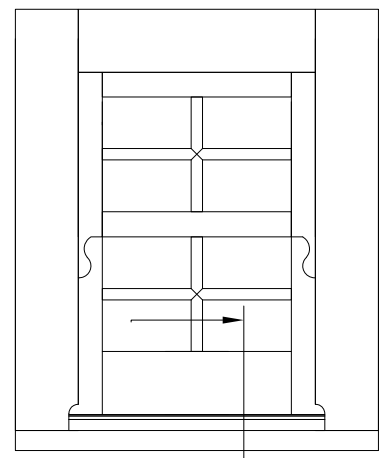
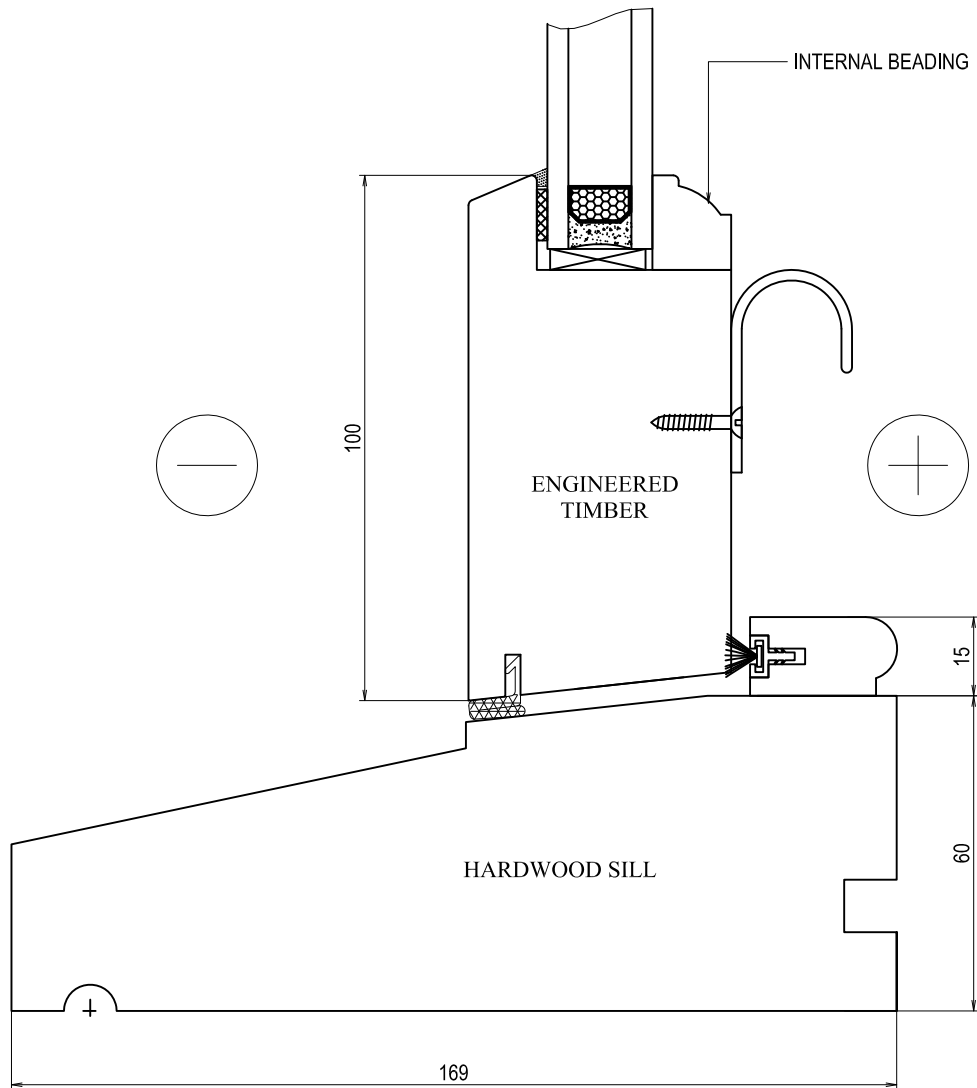
SYSTEM

TIMBER SASH WINDOW
WITH LEAD WEIGHTS

DRAWING TITLE

TRANSOM DETAIL

DRAWN	CHECKED	DATE	SCALE
R.P.	A.P.		1-1
JOB NUMBER	DRAWING NUMBER	REVISION	
N/A	002		



Rawington Ltd
WOOD-ALUMINIUM WINDOWS

Yate Business Campus
10 North Road
Yate
Bristol
BS37 7PA
Tel 014 5452 8353
Fax 014 5452 8353
Email info@rawington.com

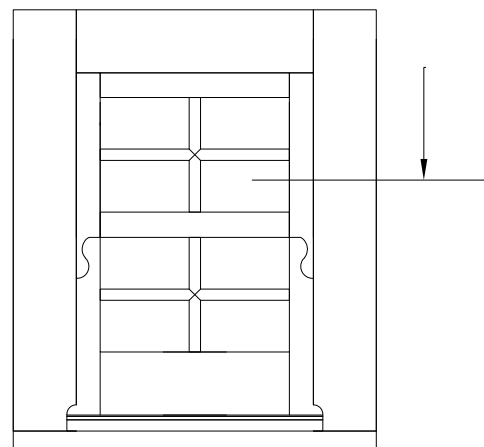
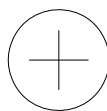
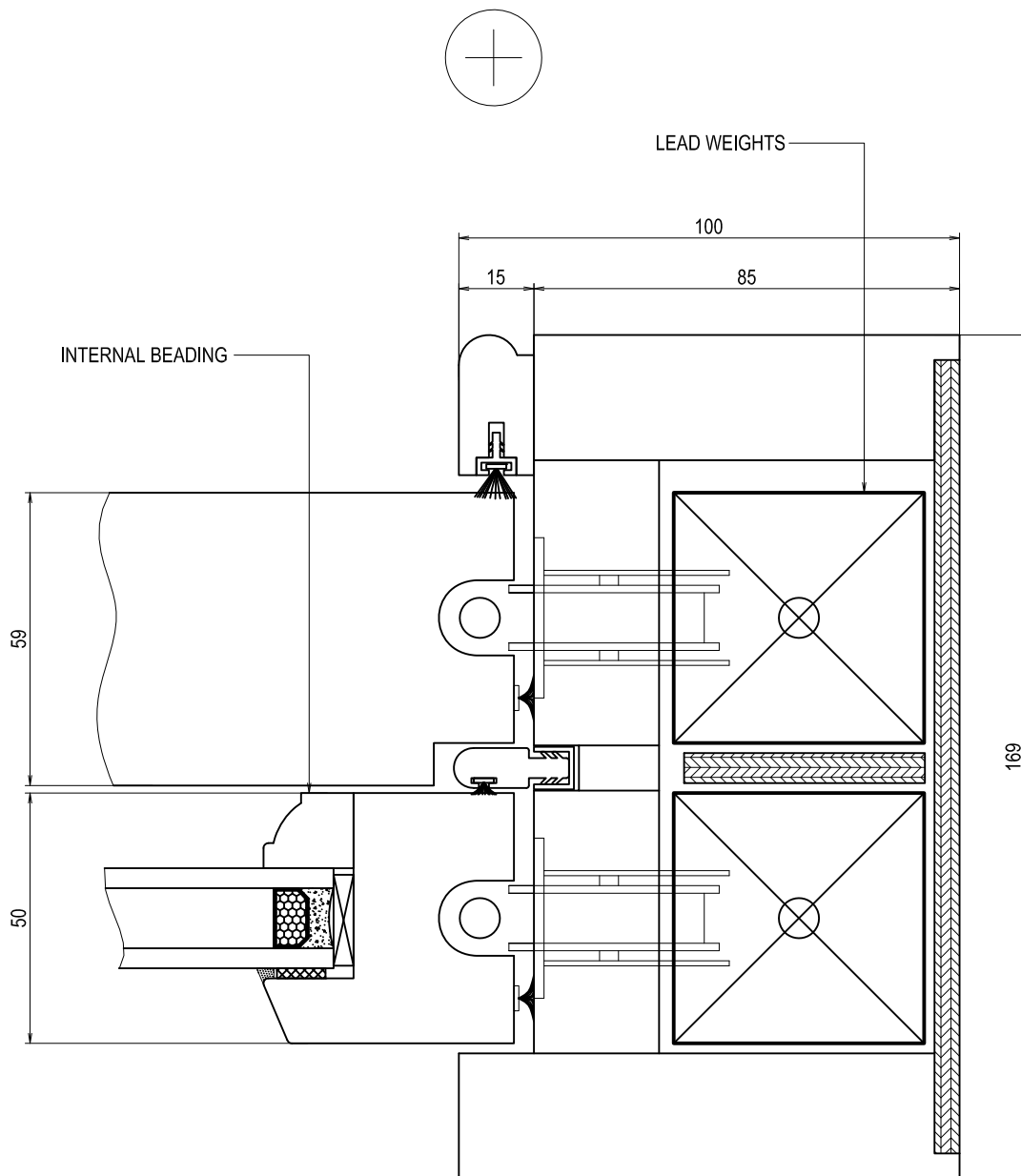
SYSTEM

**TIMBER SASH WINDOW
WITH LEAD WEIGHTS**

DRAWING TITLE

SILL DETAIL

DRAWN	CHECKED	DATE	SCALE
R.P.	A.P.		1-1
JOB NUMBER	DRAWING NUMBER	REVISION	
N/A	003		



Rawington Ltd
WOOD-ALUMINIUM WINDOWS

Yate Business Campus
10 North Road
Yate
Bristol
BS37 7PA
Tel 014 5452 8353
Fax 014 5452 8353
Email info@rawington.com

SYSTEM

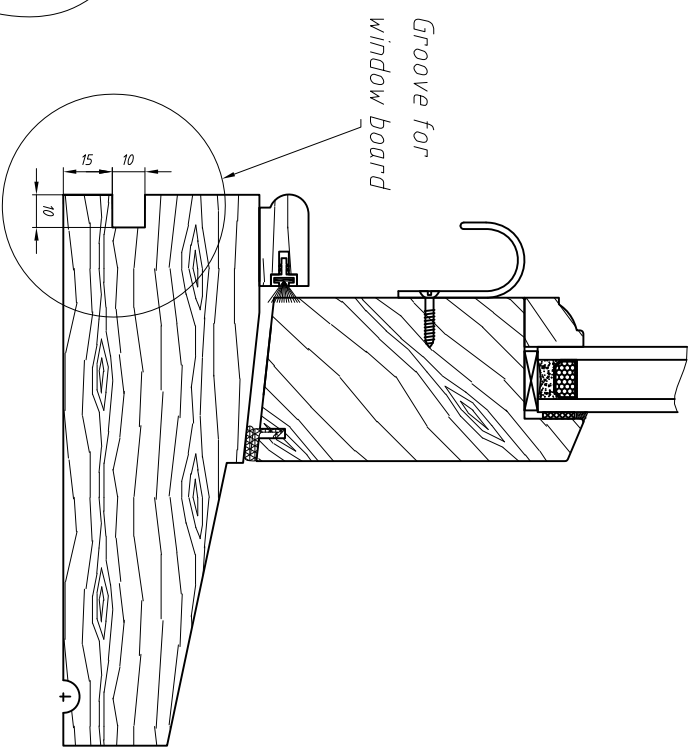
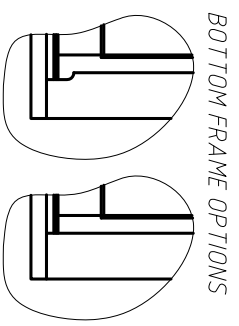
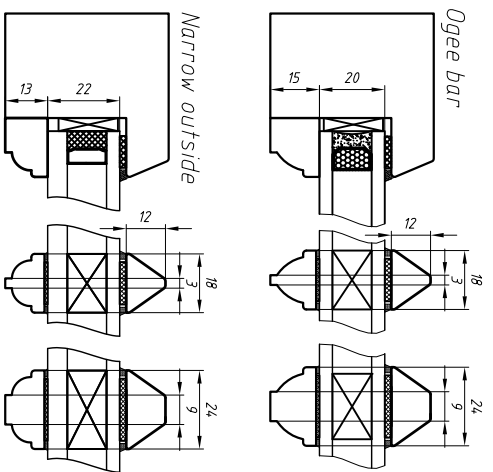
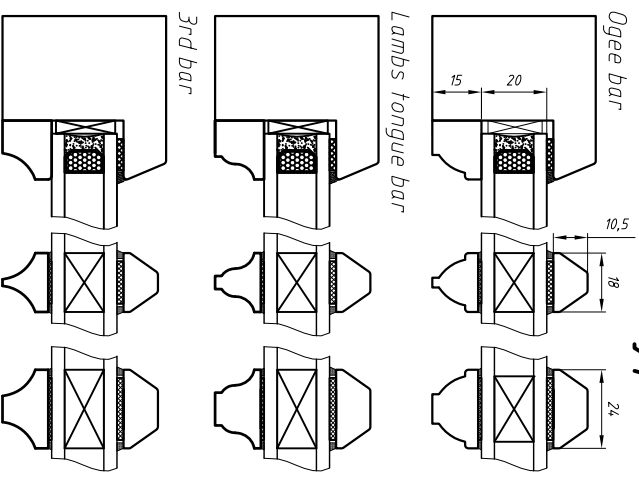
TIMBER SASH WINDOW
WITH LEAD WEIGHTS

DRAWING TITLE

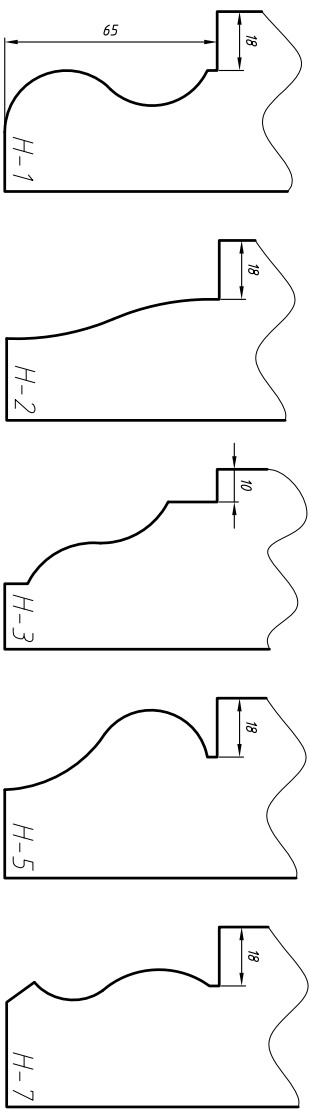
JAMB DETAIL

DRAWN	CHECKED	DATE	SCALE
R.P.	A.P.		1-1
JOB NUMBER	DRAWING NUMBER	REVISION	
N/A	004		

Bar and bead types



Horn types



SYSTEM

**TIMBER SASH WINDOW
WITH LEAD WEIGHTS**

DRAWING TITLE

**JAMB DETAIL OF
OPEN IN DOOR**

Yale Business Campus
10 North Road
Yale
Bristol
BS37 7PA
Tel 014 5452 8353
Fax 014 5452 8353
Email info@rawington.com

Rawington Ltd
WOOD-ALUMINIUM WINDOWS

DRAWN	CHECKED	DATE	SCALE
R.P.	A.P.		1-1
JOB NUMBER	DRAWING NUMBER	REVISION	
N/A	005		